

Air Purifier Filter Replacing Instructions

HEPA composite filter

Part No. F-ZXTP70Z

Deodorizing filter

Part No. F-ZXTD70Z

- Before replacing filters, please read the "MAINTENANCE" section of operating instructions.
- Spread newspaper on the floor and sit the product on it while working so that foreign particles do not scatter and make a mess.
- The filter which needs to exchange cannot be used again even it is cleaned, please dispose the used filter as non-flammable garbage.

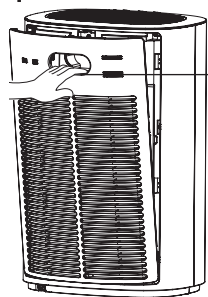
WARNING

- ! Be sure to disconnect the power plug before replacing the filters. (Otherwise, the product might operate with the possibility of electric shock or injury.)

- Do not apply too much pressure on the HEPA composite filter. (Otherwise it may be damaged.)
- When the filter replacement icon displays (about once every 2 years), please replace the filters. The time when the filter replacement icon is displayed may vary with the air quality of the ambient environment.

Method for replacing filters

- 1** Pull the air inlet cover out to remove it by holding the lower part of its handle.

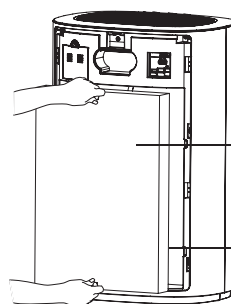


Lower part of the handle

Notice

Fix the main body in place with your hand when removing the air inlet cover.

- 2** Remove the old filters (2 types) separately and horizontally.



HEPA composite filter

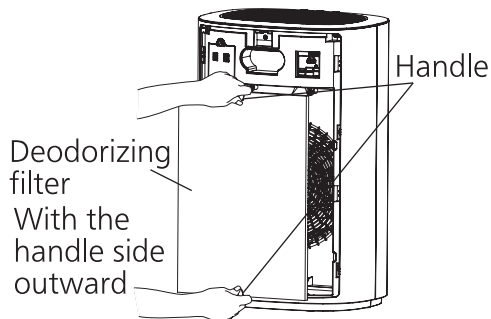
Deodorizing filter (wrapped in a black net)

- 3** Install the new filters (2 types) and inlet cover.

- ① Install deodorizing filter. (There is distinction between inside and outside, with the handle side outward, no distinction between upper and lower.)

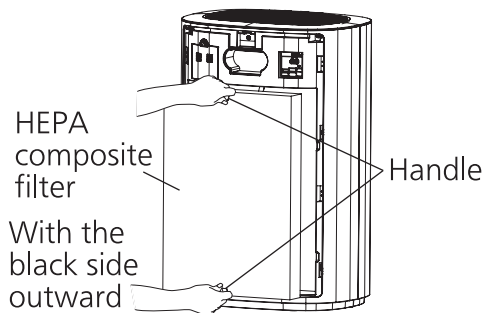
- ② Install HEPA composite filter. (There is distinction between inside and outside, with the handle side outward, no distinction between upper and lower.)

- ③ Install inlet cover. Align the bottom of the air inlet cover with the bottom grooves (two) of the rear cover and snap it in, and then push them in the upper buckles (three) of the air inlet cover.



Deodorizing filter
With the handle side outward

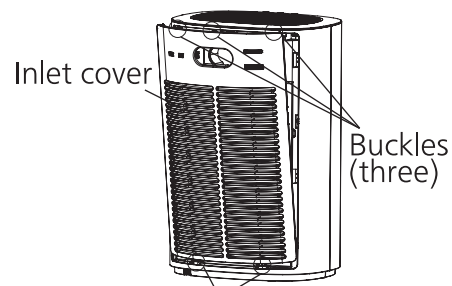
Handle



HEPA composite filter

With the black side outward

Handle



Inlet cover

Buckles (three)

Grooves (two)

Notice

Make sure to attach the inlet cover before use.

- 4** After replacing the filters, please fill in installation date on the label attached with filter, then stick it on product to cover the old date.

空氣清新機過濾網更換說明

HEPA多功能過濾網 脫臭過濾網
型號 F-ZXTP70Z 型號 F-ZXTD70Z

- 更換過濾網前，請先閱讀使用說明書中“維護保養”章節。
- 更換時請先在地面上鋪設報紙，再將產品放在報紙上，以免灰塵、雜質弄污地面。
- 達到更換週期的過濾網即使清潔乾淨也不可再使用，請將它作為不可燃垃圾處理。

警告

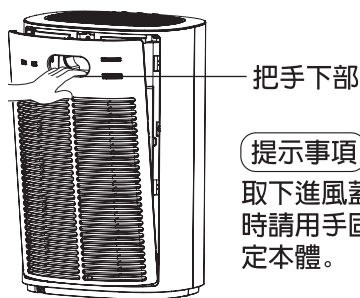


更換過濾網前，務必確認已拔出電源插頭。
(否則產品可能會突然運轉，導致觸電或受傷。)

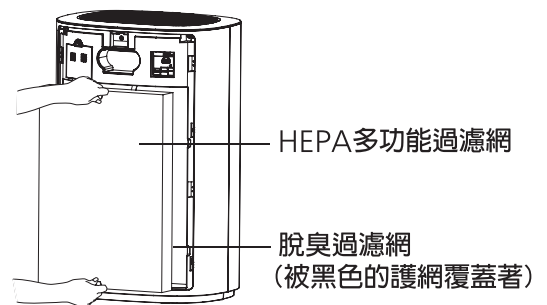
- 請勿用力按壓HEPA多功能過濾網。
(否則過濾網可能會破損。)
- 過濾網更換圖標顯示時(約2年1次)，請更換過濾網。根據使用環境污染程度等的不同，過濾網更換圖標顯示的時間也會不同。

過濾網的更換方法

1 抓住進風蓋的把手下部向外拉出，取下進風蓋。

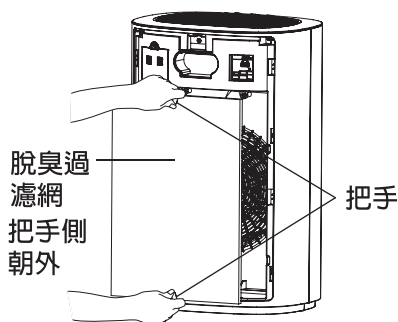


2 分別水平取出舊過濾網(2種)。

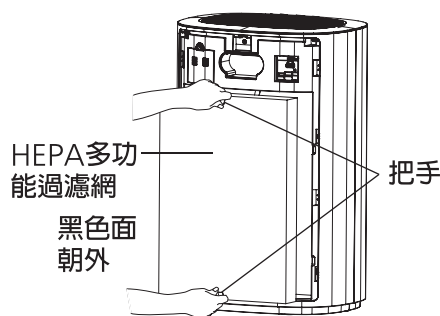


3 安裝新過濾網(2種)和進風蓋。

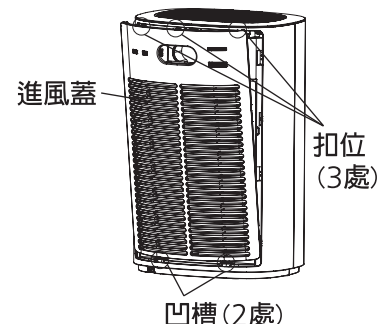
① 安裝脫臭過濾網。
(有內外之分，帶把手面朝外，沒有上下之分。)



② 安裝HEPA多功能過濾網。
(有內外之分，帶把手面朝外，沒有上下之分。)



③ 安裝進風蓋。
將進風蓋底部與後蓋底部凹槽(2處)對齊扣入，然後推入進風蓋上部扣位(3處)。



提示事項
使用前請務必安裝進風蓋。

4 更換過濾網後，請在過濾網隨附的標籤上記錄開始使用日期，並粘貼在機體上，覆蓋舊的使用日期。

Panasonic Corporation

Web Site: <http://www.panasonic.com>

© Panasonic Corporation 2020

Issue date: 11/2020
發行日期: 11/2020
P1120-0 ZXTP7Z240 C